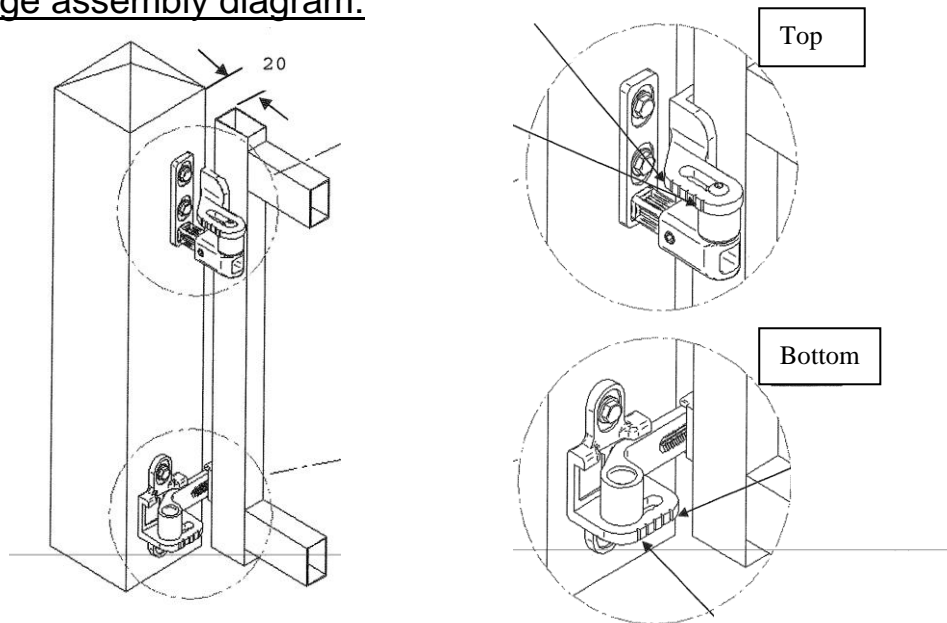


# FITTING INSTRUCTIONS

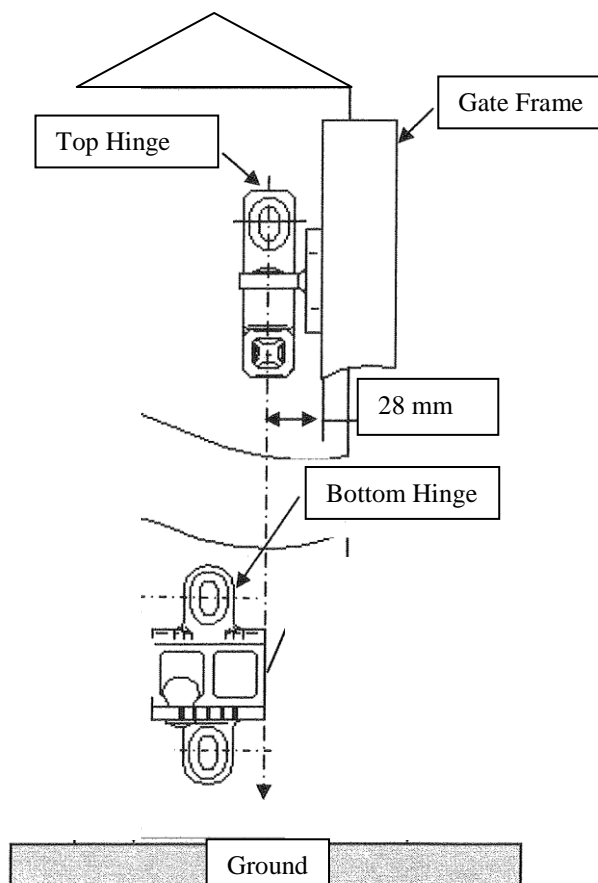
## Single Bespoke Gates RISING HINGES



Hinge assembly diagram:



1. Offer the gate up to the gate post or the wall it is to be fitted to.
2. Place spacers or wedges under the gate to achieve required ground clearance (usually about 30mm).
3. Insert the top hinge into the locating hole of the bracket, on the frame of the gate.



4. Mark the position of the hinge onto the wall or post. The centre line of the hinge bracket should be 28mm from the back edge of the gate frame.
5. Drill 8mm holes into the wall or post, to accept hinge fixings.
6. Separate the hinges using the 5mm Allen key, then secure the hinge base to the wall using the Self Threading Hex Head bolts provided.
7. Replace the pin section of the top hinge back into the locating hole on the gate and slide the gate onto the hinge base plate.
8. Place gate in required position and insert bottom hinge into locating hole.
9. Check that the hinges are vertically in line using a spirit level and mark position on the wall or post. The front edge of the bottom bracket should be in a vertical line with the centre of the top bracket.
10. Repeat steps 5 and 6 for bottom hinge.
11. Replace the pin sections of both hinges in the locating holes, slide the gate onto the hinge base plates.
12. Position the gate as required then tighten the grub screws on the hinges so that the gate is held in position.
13. Secure the catch to the angle plate with the supplied fixings (catch fits on the outside small face of the angle plate).
14. Using the lock as a locator, position the catch on the wall or post, using the screws provided.
15. Fit the catch cover and secure with retaining screw.
16. Side strips can be fitted, using the screws provided. Fit to the side of the post or wall, in front of the gate, making sure that there is enough clearance for the gate to open. This hides any gaps left by the hinges.

If you experience any difficulty in fitting your gate, please do not hesitate to contact the office on **01952 292852** where we will be happy to assist you further.